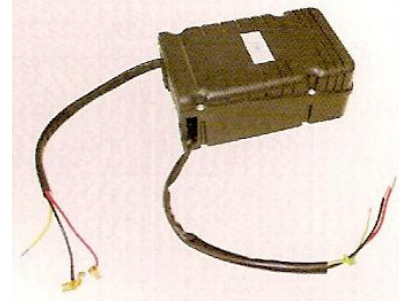


SKC – Generic Start Kit Case

For CSR, Compressors includes Potential relay, Run and Start capacitors. external thermal protector (overload not included).

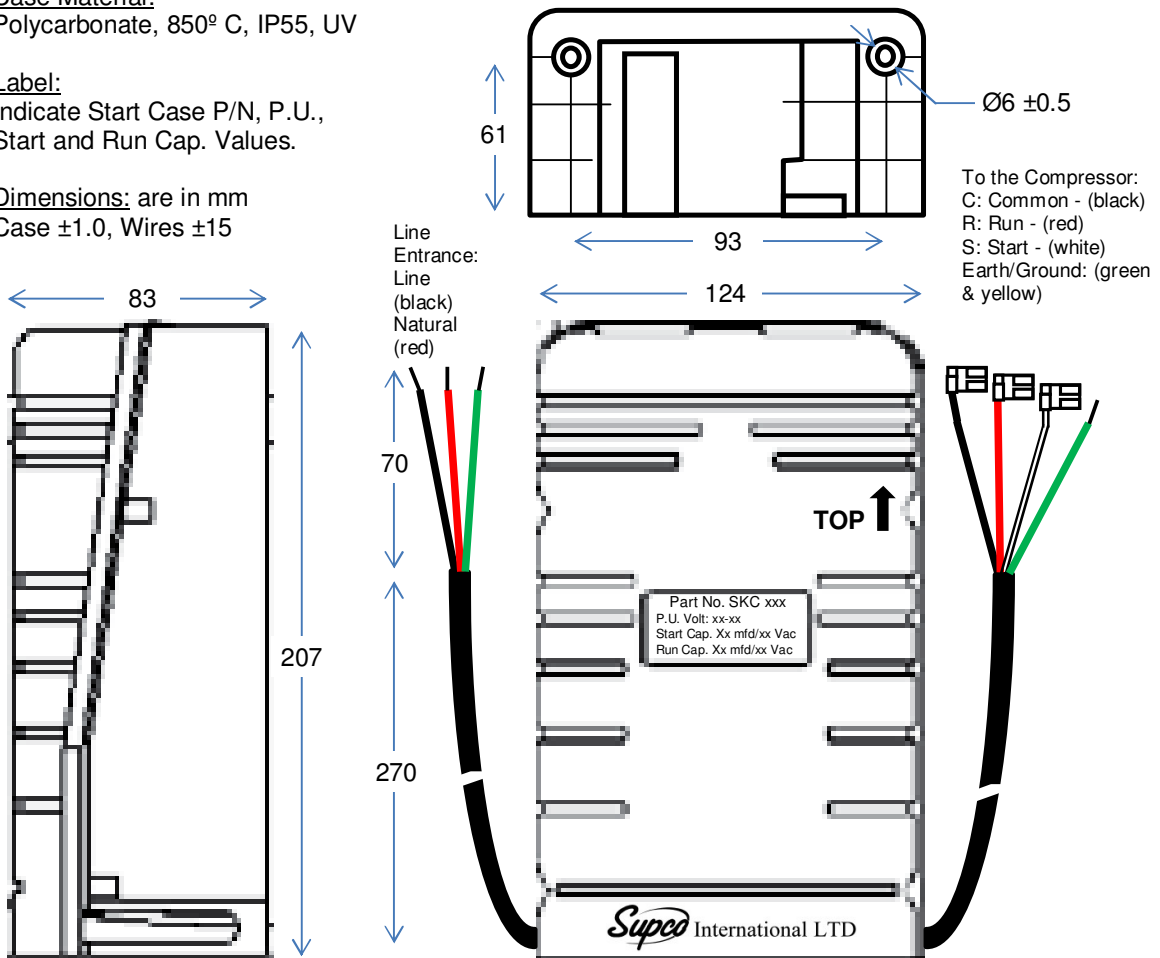
E-box Type	Comp. H.P	Power Source
SKC075	3/4	220-240V 50hz
SKC100	1	220-240V 50hz
SKC150	1 1/2	220-240V 50hz
SKC200	2	220-240V 50hz
SKC250	2 1/2	220-240V 50hz



Case Material:
Polycarbonate, 850° C, IP55, UV

Label:
Indicate Start Case P/N, P.U., Start and Run Cap. Values.

Dimensions: are in mm
Case ±1.0, Wires ±15



- Notes:
1. Mounting direction, according to marking on front "TOP"

Rev. 2.0 05/03/2013